

PNEUMATIC CUTTING SHEARS TS QP

Models: TS QP 480 | TS QP 640



POWERFULL CUT

- Dynamic pneumatic impact system with solenoid valve 24 DC
- Knife made of special steel, regrindable
- Cutting force infinitely variable

PRECISE CUTTING

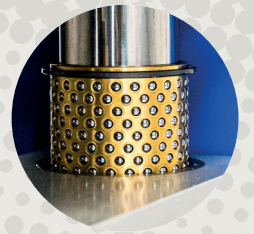
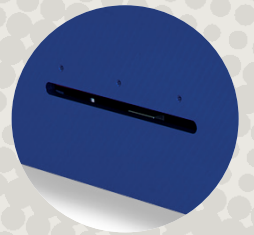
- Solid 4-pillar guides with ball bushings
- Reversible cutter bar and useable twice
- Easier and preciser cutting gap setting

VARIABLE DRIVE

- Drive over Press cam/pneumatic cylinder

VERSATILE USE

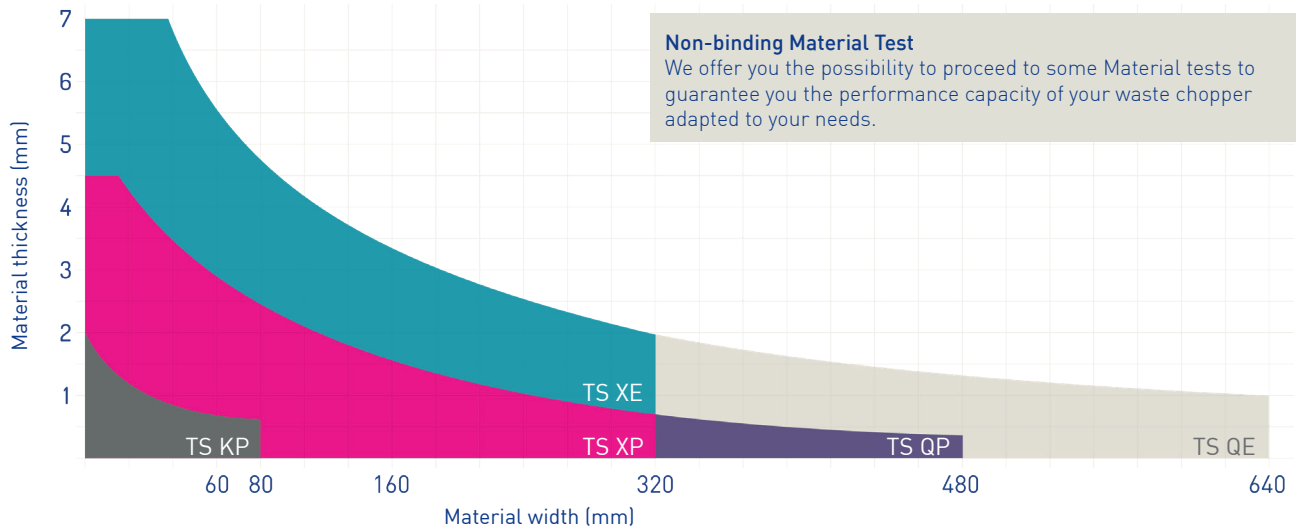
- Better elimination of chopped waste thanks ameliorated outlet
- Optimized access for cleaning and exchange cutter
- Waste chopper/shaped cut
- Precision shears for cut to length application



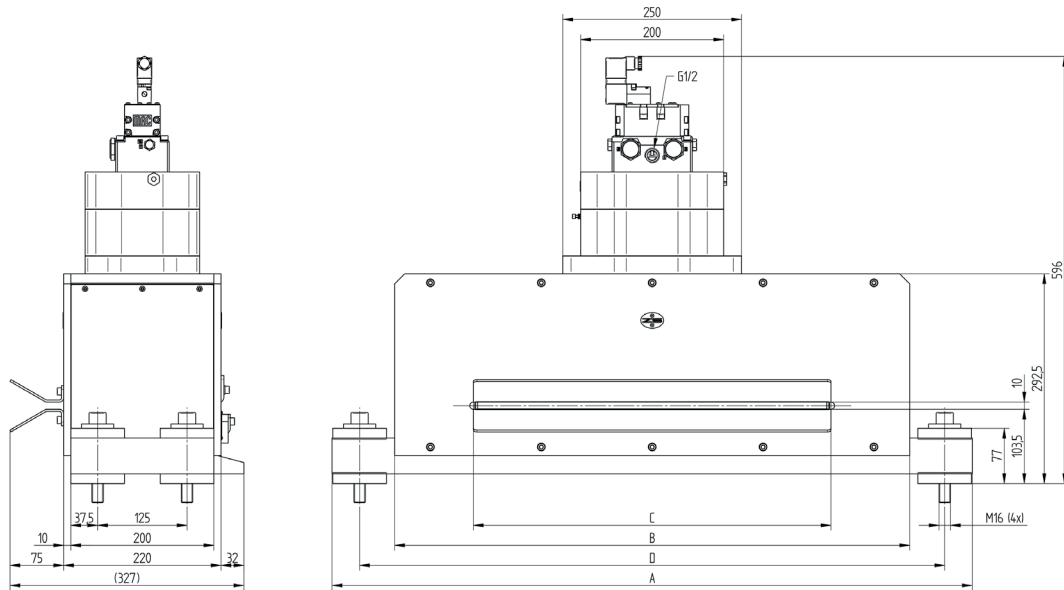
PNEUMATIC CUTTING SHEARS TS QP



PERFORMANCE



TECHNICAL SPECIFICATIONS



MODEL	TS QP	480	640
Cutting width max. (mm)		480	640
Support width A (mm)		895	1055
Body width B (mm)		720	900
Opening width C (mm)		500	660
Mounting distance D (mm)		818	978
Material height max. (mm)			7
Cutting force max. (kN)			40
Air consumption per stroke at 8 bar approx. (l)			4.5
Strokes (ms)		180	200
Weight (kg)		210	300

SWITZERLAND

Zehnder & Sommer AG
CH-3400 Burgdorf
info@zehndersommer.com
Tel +41 31 800 00 00

GERMANY

Zehnder & Sommer GmbH
DE-58452 Witten
info@zehndersommer.de
Tel +49 2302 981 60 30

zehndersommer.com
ZSswiss.com