

Mini Roll Feed with integrated control

COMPACT EVM IC

Models: EVM 020 IC | EVM 040 IC



COMPACT & PROVEN

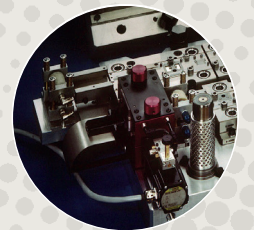
- Control integrated in motor, no control cabinet
- Ultra compact dimensions (installation also into toolings)
- Very simple wiring system and installation in systems
- Direct drive of lower roll
- Proven precision mechanic

VERSATILE

- Different rolls surfaces
- Easy and versatile integration, Bus-connexion
- Quicker exchange of feed and control
- Pull-out inlet plate for practical maintenance and roll cleaning
- Terminal Box-IC in option with threading aid

INTEGRATED CONTROL

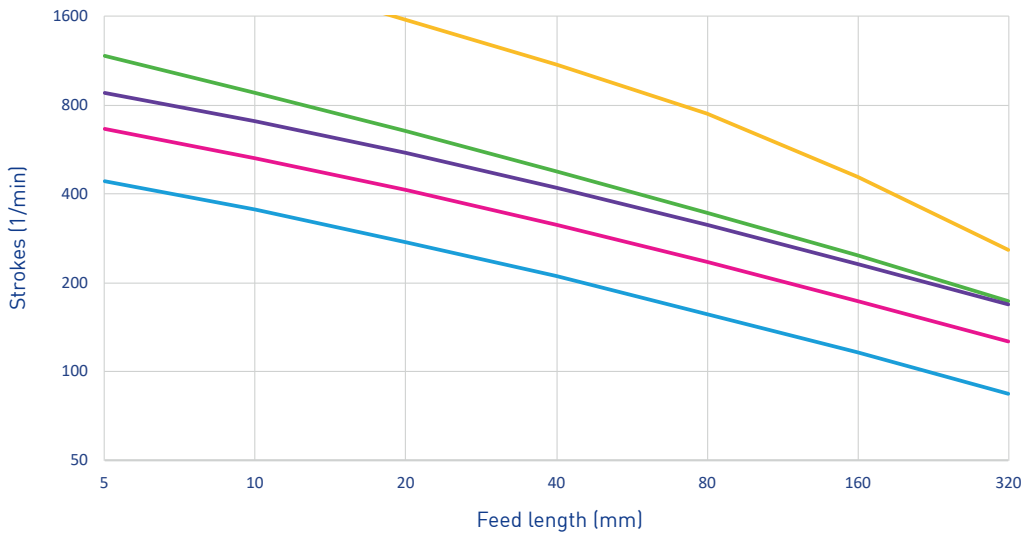
- ServoStep Motor with pulse lock STO (SIL3)
- Connect box for press connection with TFT control unit
- Optional bus connection (EtherCAT, Ethernet IP ProfiNET)



ROLL FEED COMPACT EVM IC



PERFORMANCE

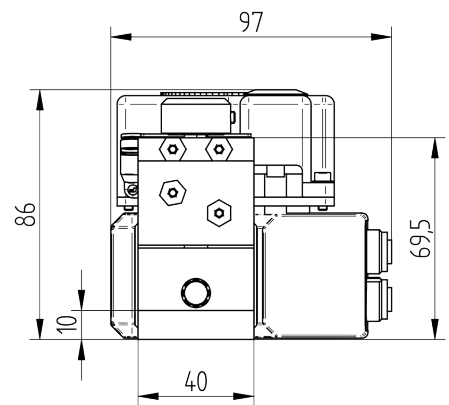
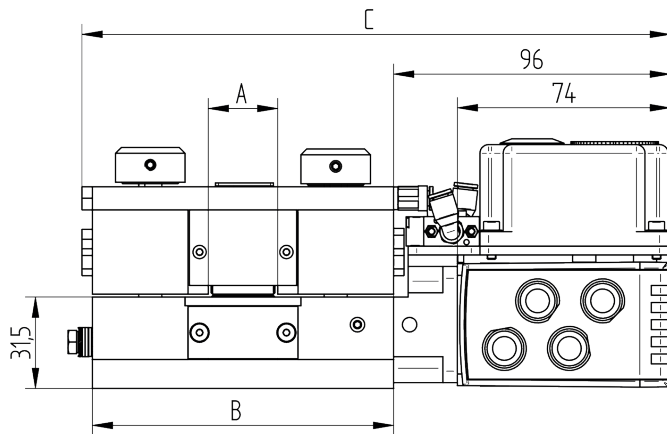


Performance curves (examples)*

Loop weight / Feed angle / Motor
0 kg / 180° / IC
0.5 kg / 180° / SE
0.5 kg / 240° / IC
0.5 kg / 180° / IC
0.5 kg / 120° / IC

*Calculation basis: EVM 020 IC

TECHNICAL SPECIFICATIONS



MODEL	EVM IC	020	040
Roll width upper/lower (mm)		20	40
Opening width A (mm)		24	44
Support width B (mm)		104	124
Overall width C (mm)		203	223
Roll opening		2.5 mm	
Roll diameter		20 mm	
Accuracy		+/- 0.05 mm	
Speed max.*		180 m/min	
Traction max.*		29 N	
Cross section (recommended)		max. 10 mm ²	

*Depending on motor, control and supply.
Ask for a specific configuration and calculation.

SWITZERLAND

Zehnder & Sommer AG
CH-3400 Burgdorf
info@zehndersommer.com
Tel +41 31 800 00 00

GERMANY

Zehnder & Sommer GmbH
DE-58452 Witten
info@zehndersommer.de
Tel +49 2302 981 60 30

zehndersommer.com
ZSswiss.com