

Pneumatic waste chopper

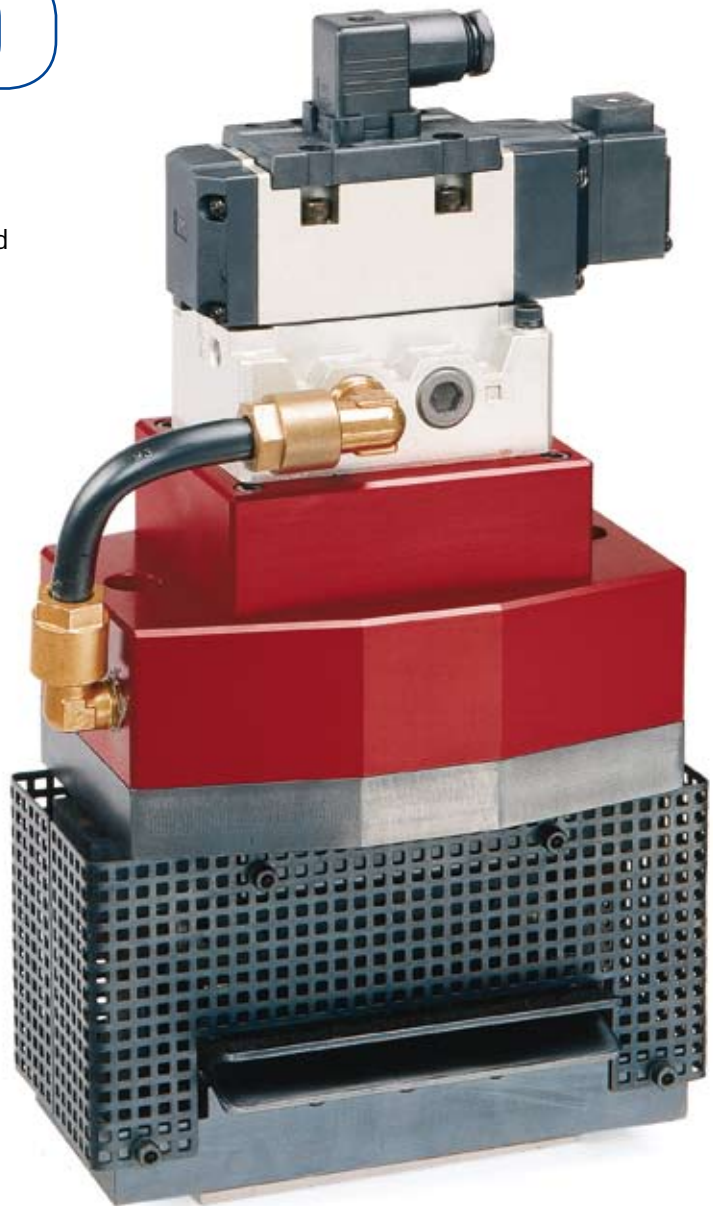
J 300.800

Scope of delivery

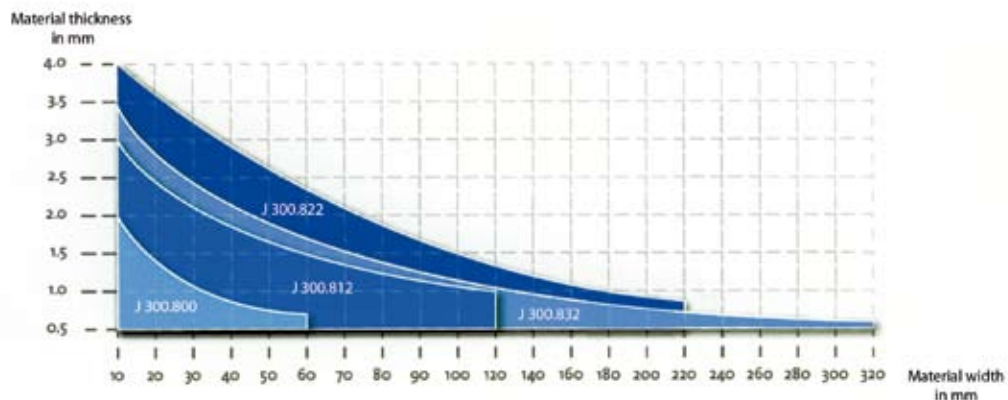
- Waste chopper complete with direct mounted 5/2-way solenoid valve
- Sound absorber including protective screen and materials guide panel

Options

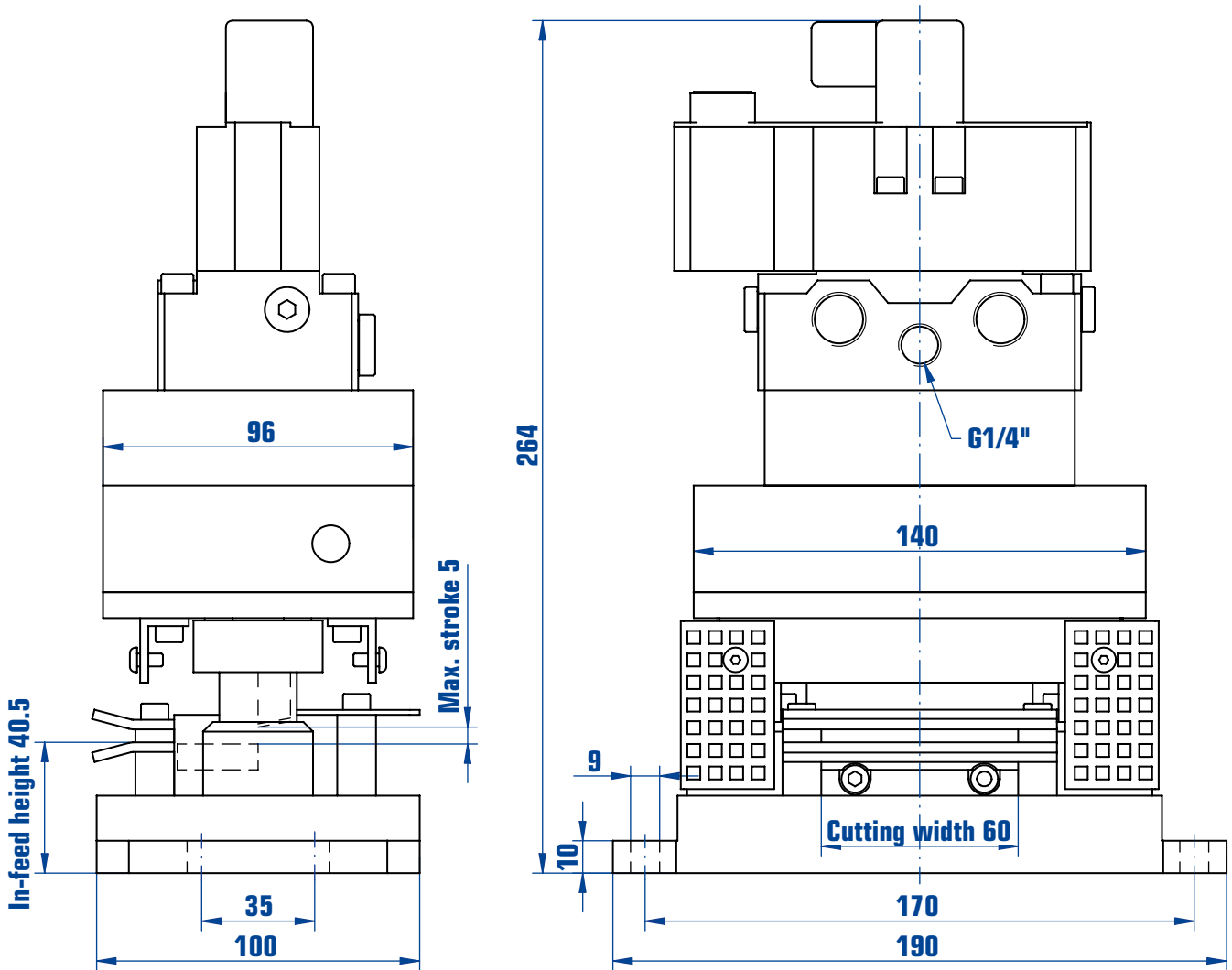
- Mounting bracket



Performance diagram



Technical modifications subject to change. Performance data depends on material.



| Model order number | Cutting force (approx.) | Max. frequency non-load | Air consumption per switch play |
|--------------------|-------------------------|-------------------------|---------------------------------|
| J 300.800 | 12 kN | 400/min. | 1.2 l |

Technical modifications subject to change. Performance data depends on material.