

Pneumatic waste chopper

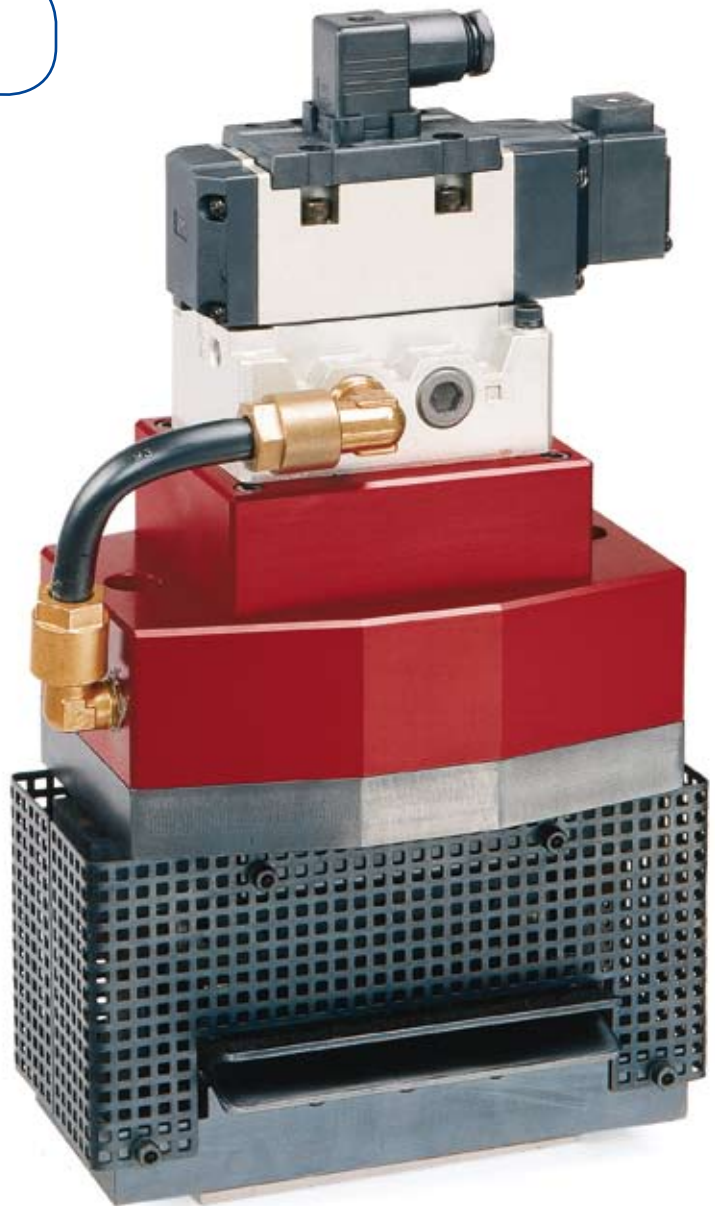
J 300.812

Scope of delivery

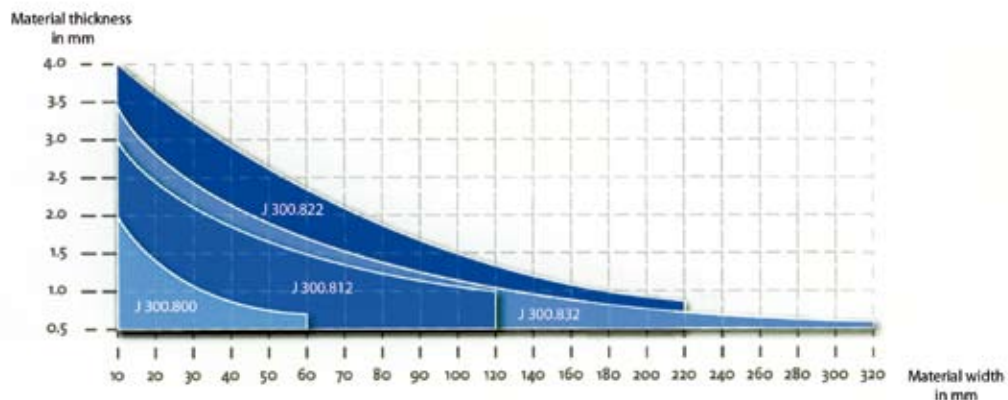
- waste chopper complete with direct mounted 5/2-way solenoid valve
- Sound absorber including protective screen and materials guide panel
- Cutting force steplessly adjustable

Options

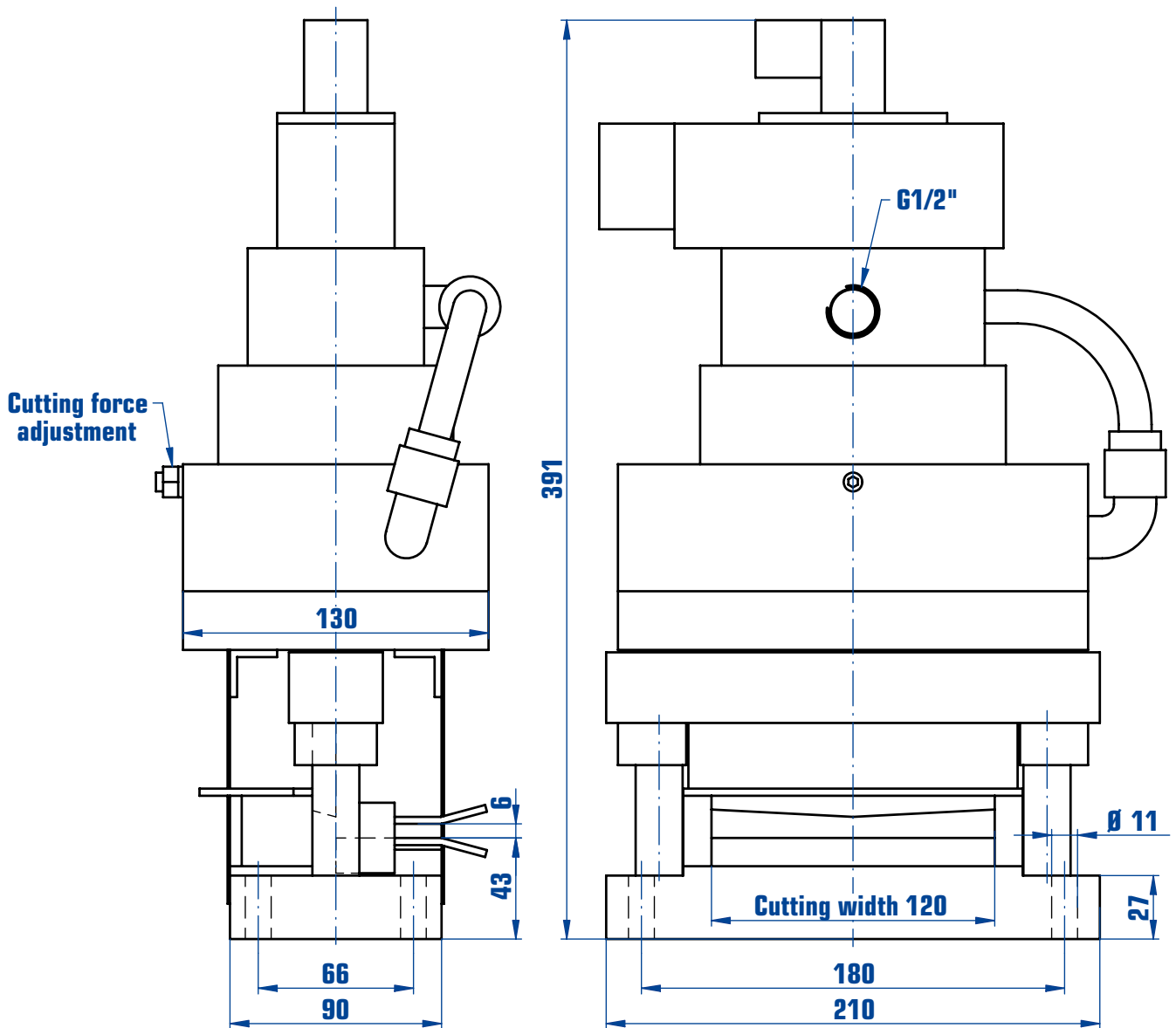
- Mounting bracket



Performance diagram



Technical modifications subject to change. Performance data depends on material.



Model order number	Cutting force (approx.)	Max. frequency non-load	Air consumption per switch play
J 300.812	24 kN	300/min.	1.9 l

Technical modifications subject to change. Performance data depends on material.